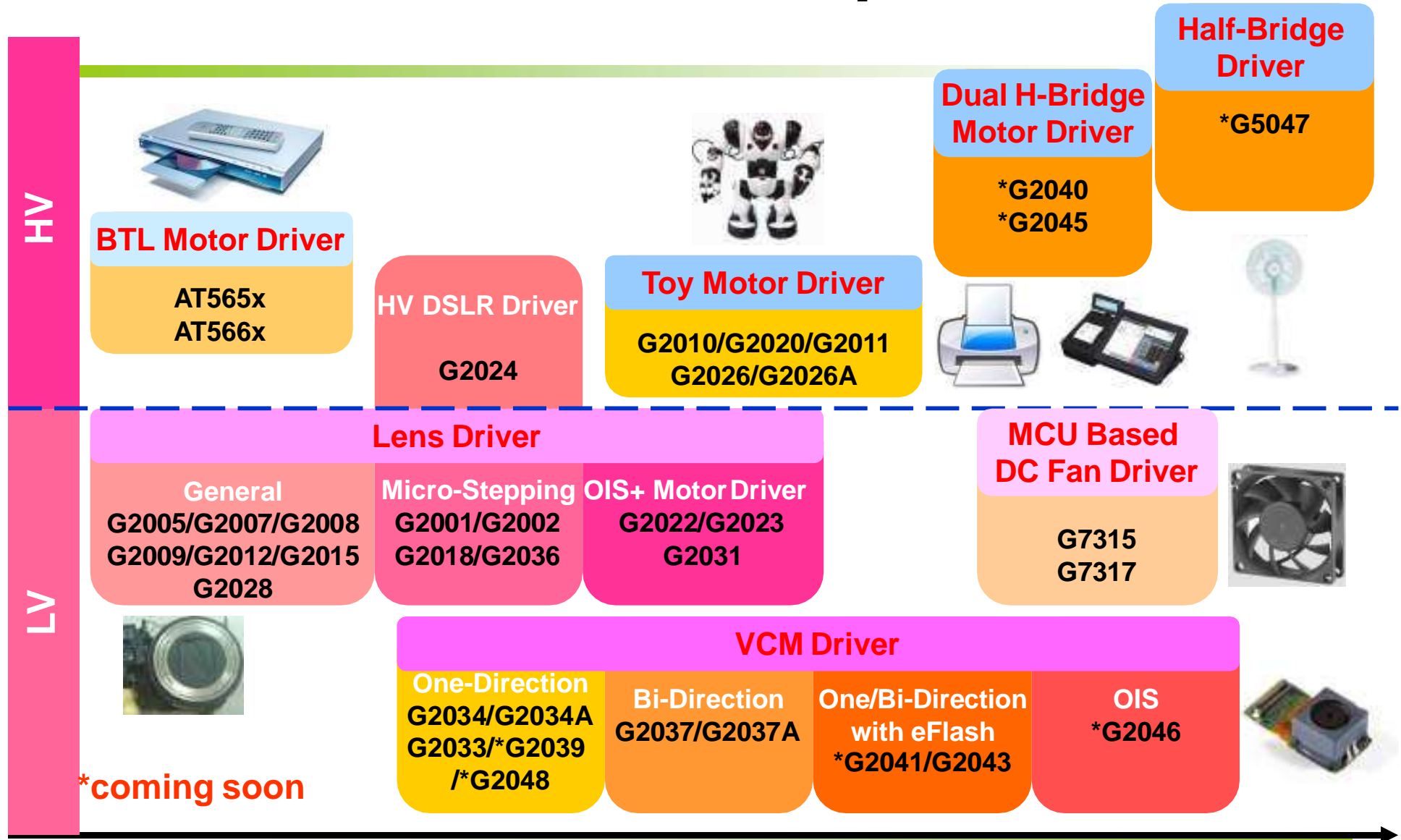


SHARING INTEGRITY
SERVICE
INNOVATION

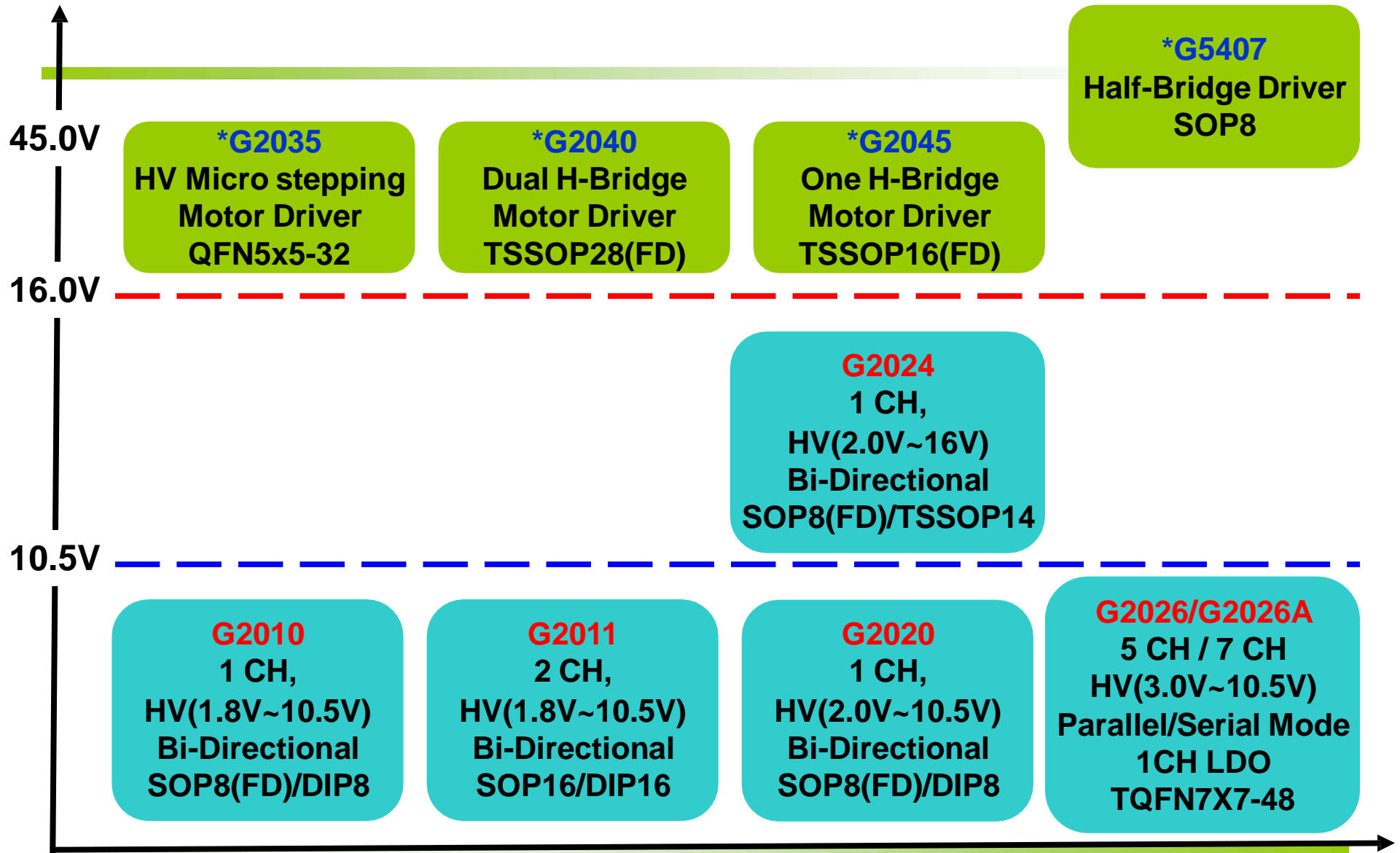
Global Mixed-mode Technology Inc.
Green products

GMT Motor Driver Product

Motor Driver IC Roadmap



HV Motor Driver

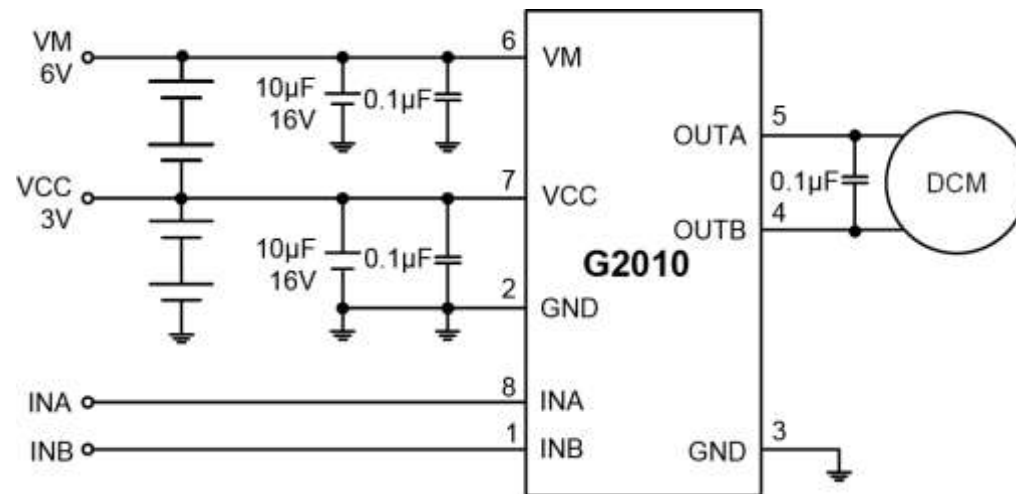
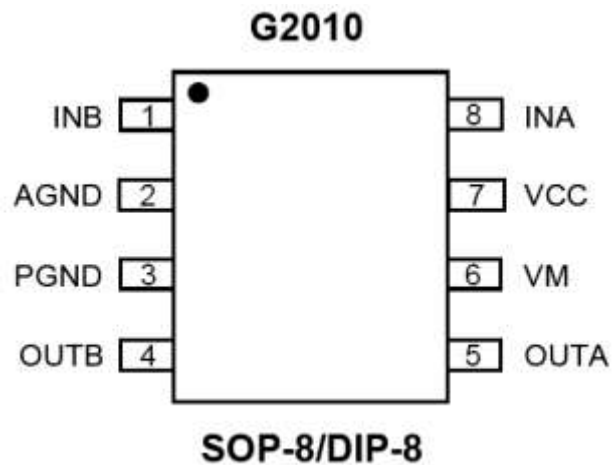


G2010

1-CH DC motor driver IC for Toy

Features

- 1-Channel H-bridge driver built-in power PMOS and NMOS.
- The driver with forward, reverse, stop and brake function.
- Low stand-by and operating current.
- Low on-resistance. (1Ω)
- Low voltage operation.
- Built-in thermal shutdown function.
- 10.5V Maximum Rating for VM Power.
- Package SOP-8 & DIP-8
- RoHS Compliant

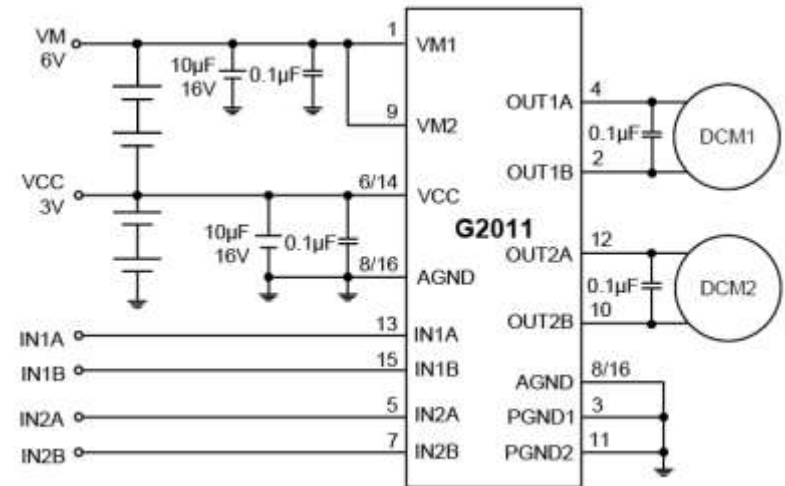
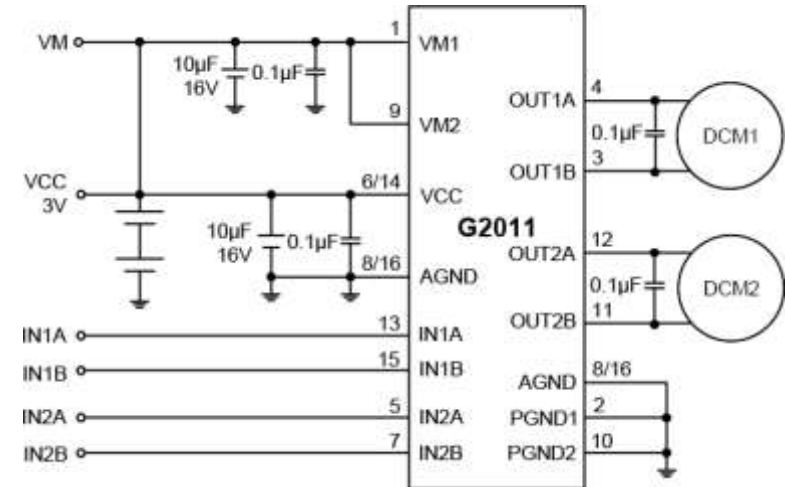
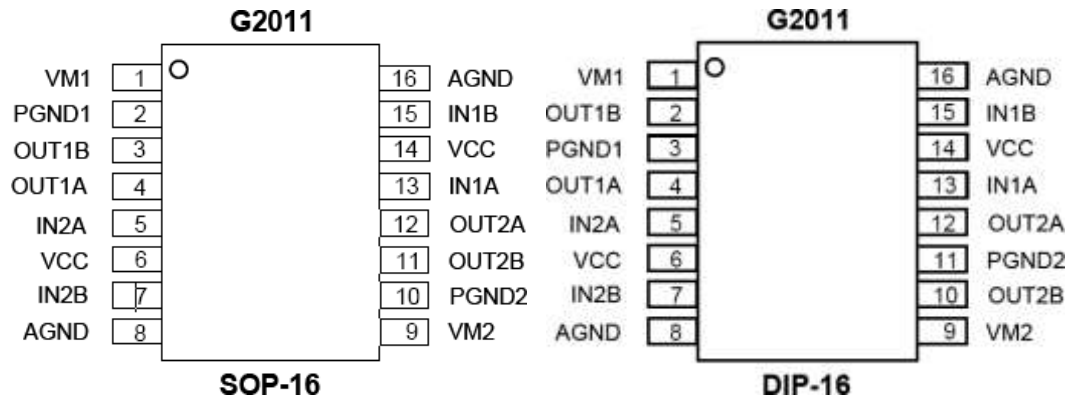


G2011

2-CH DC motor driver IC for Toy

Features

- Independent 2-Channel H-bridge drivers
- built-in power PMOS and NMOS.
- All the drivers with forward, reverse, stop and brake function.
- Low stand-by and operating current.
- Low on-resistance. ($1\ \Omega$)
- Low voltage operation.
- 10.5V Maximum Rating for VM1,VM2 Power.
- Built-in thermal shutdown function.
- Package SOP-16 & DIP-16

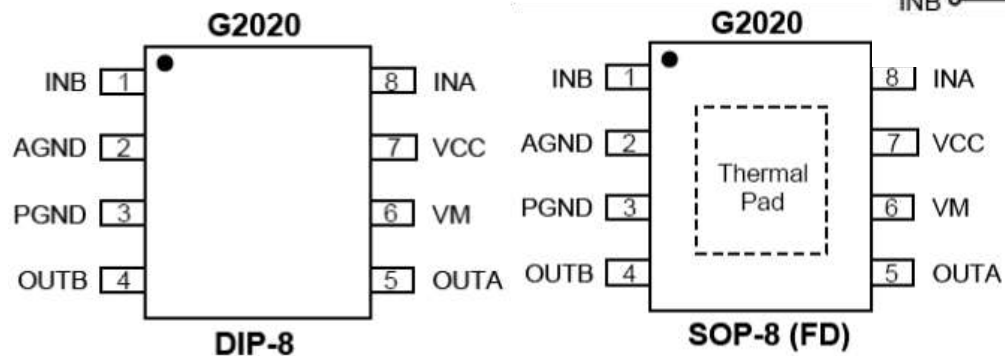
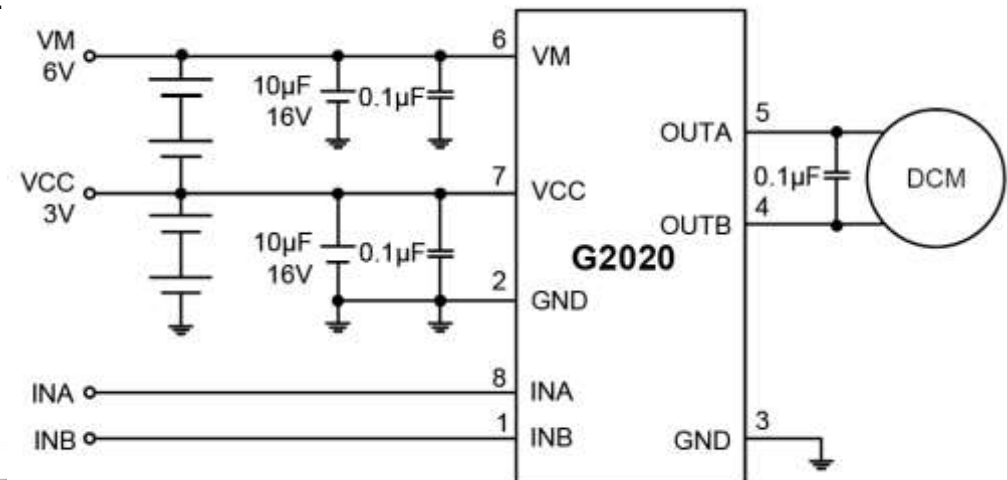


G2020

1-CH DC motor driver IC for Toy

Features

- 1-Channel H-bridge driver built-in power PMOS and NMOS.
- The driver with forward, reverse, stop and brake function.
- Low stand-by and operating current.
- Low on-resistance. (0.5Ω)
- Low voltage operation.
- Built-in thermal shutdown function.
- **10.5V Maximum Rating for VM Power.**
- Package SOP-8 (FD) & DIP-8
- RoHS Compliant

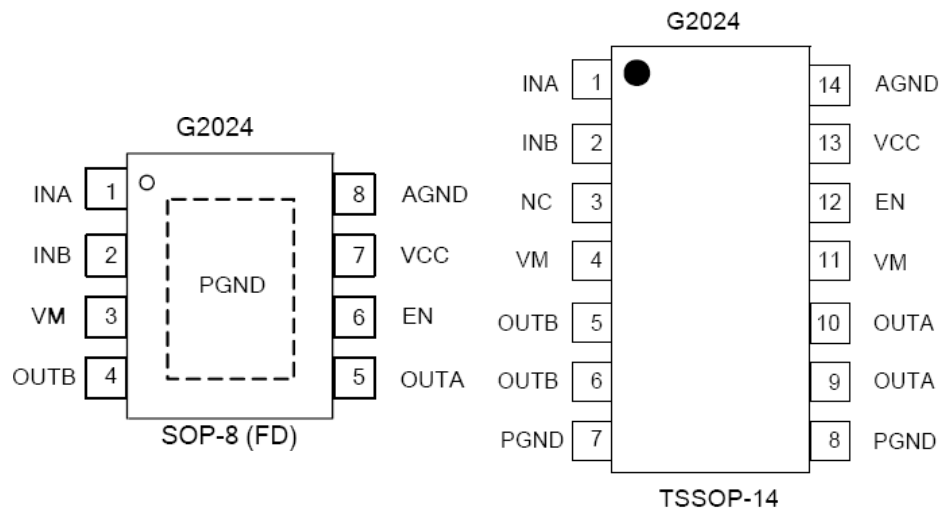
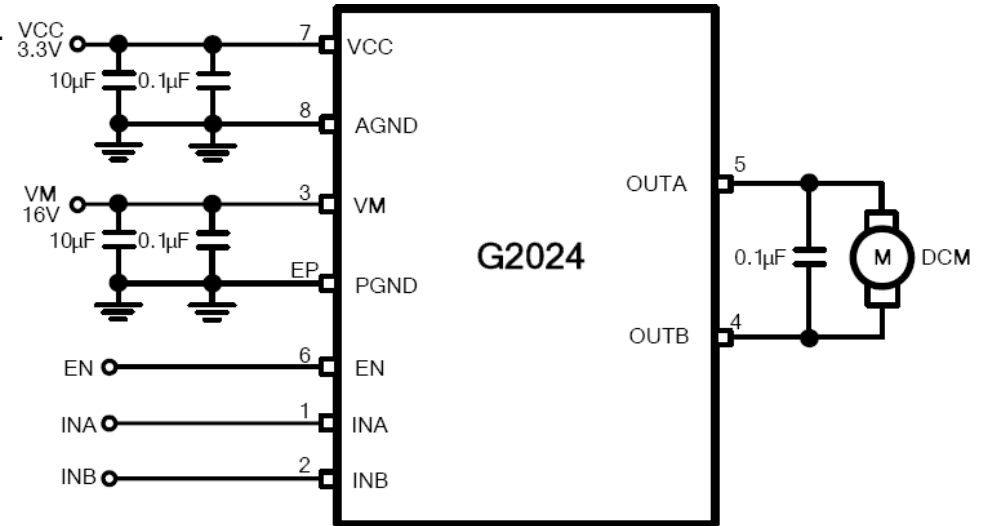


G2024

1-CH DC motor driver IC for Toy

Features

- 1-Channel H-bridge driver built-in power PMOS and NMOS.
- The driver with forward, reverse, stop and brake function.
- Low on-resistance (0.3Ω , sum of on-resistance of up side and bottom side)
- Output current : $I_{OUT} \leq 1A(\text{max.})$
- Built-in thermal shutdown (TSD, 150°C)
- **18V Maximum Rating for VM Power.**
- Package SOP-8(FD) & TSSOP-14
- RoHS Compliant

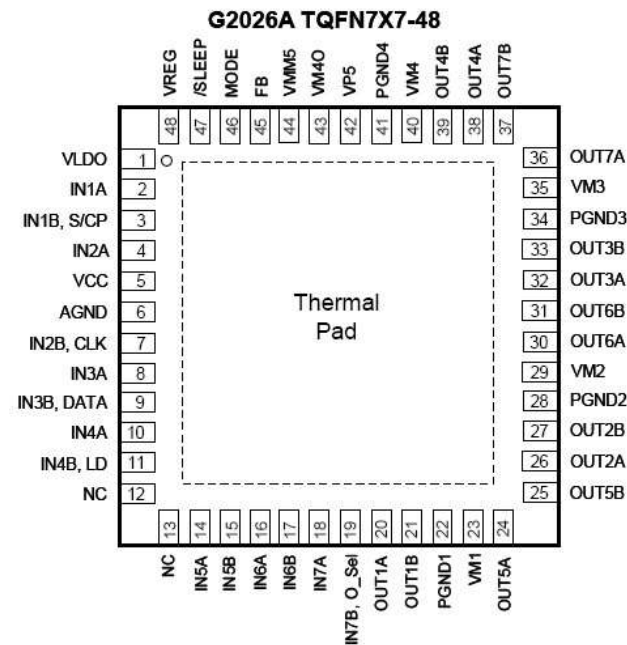
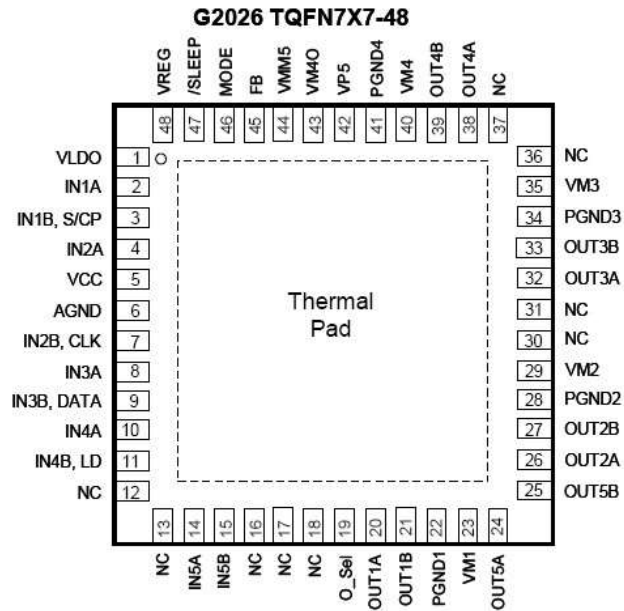


G2026/G2026A

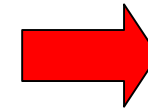
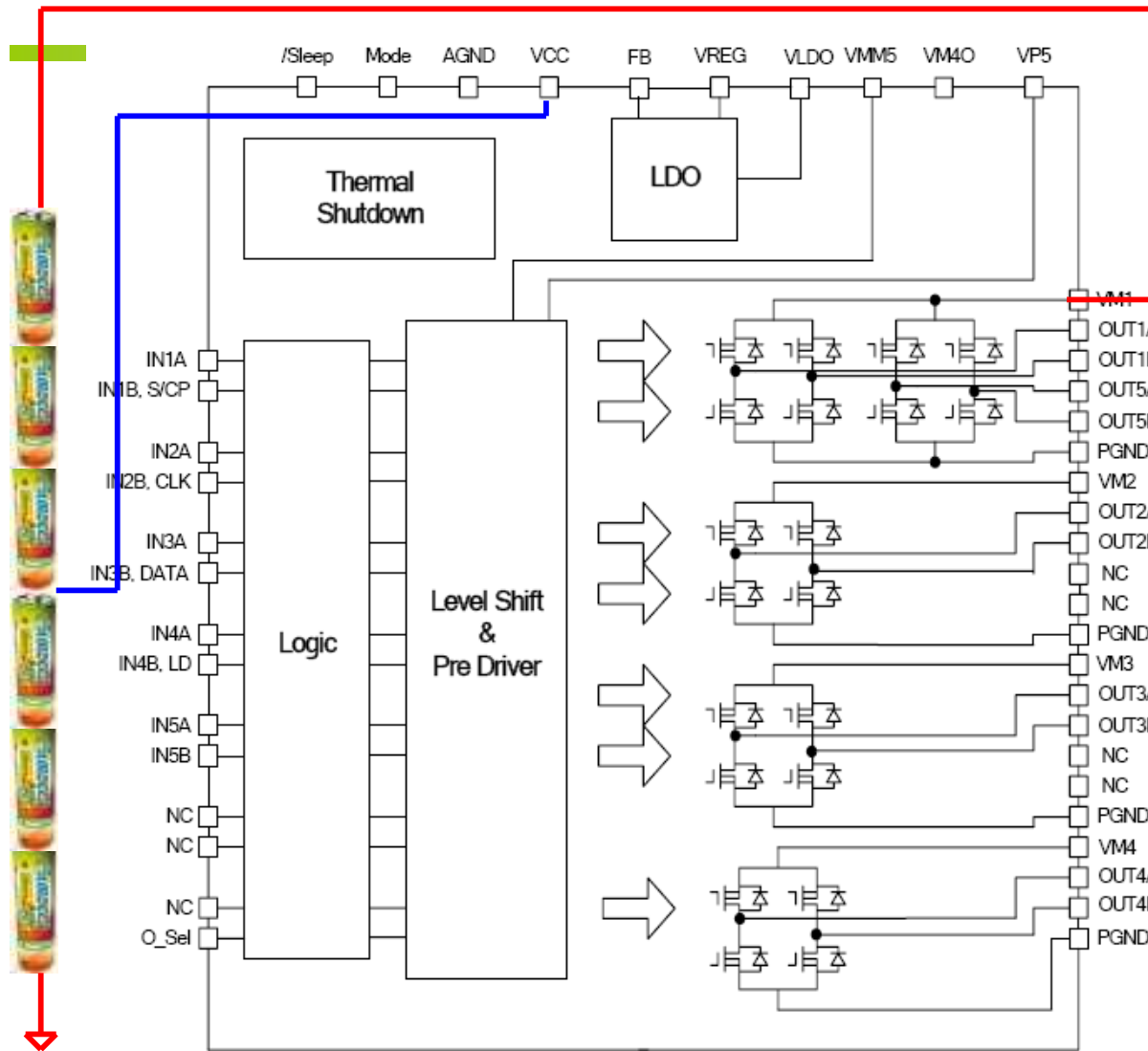
5/7-CH DC motor driver IC

Features

- Supply voltage for motor : $V_M \leq 12V(\text{max.})$
- Output current : $I_{out} \leq 0.8A(\text{max.})$ for each channel.
- Low on resistance : $R_{on} = 0.7\Omega$ (25°C under $V_M = 5V$)
- Build-in thermal shutdown(TSD, 130°C)
- Sleep current $I_{VCC} \leq 10\mu\text{A}$, $I_{VM} \leq 10\mu\text{A}$
- Heat sink can be added externally.
- Built-in 300mA LDO, and $V_{REG} = 2.7$ to $4.5V$ If $V_{LDO} = 5V$.
- Package TQFN-7X7-48



G2026/G2026A Block Diagram

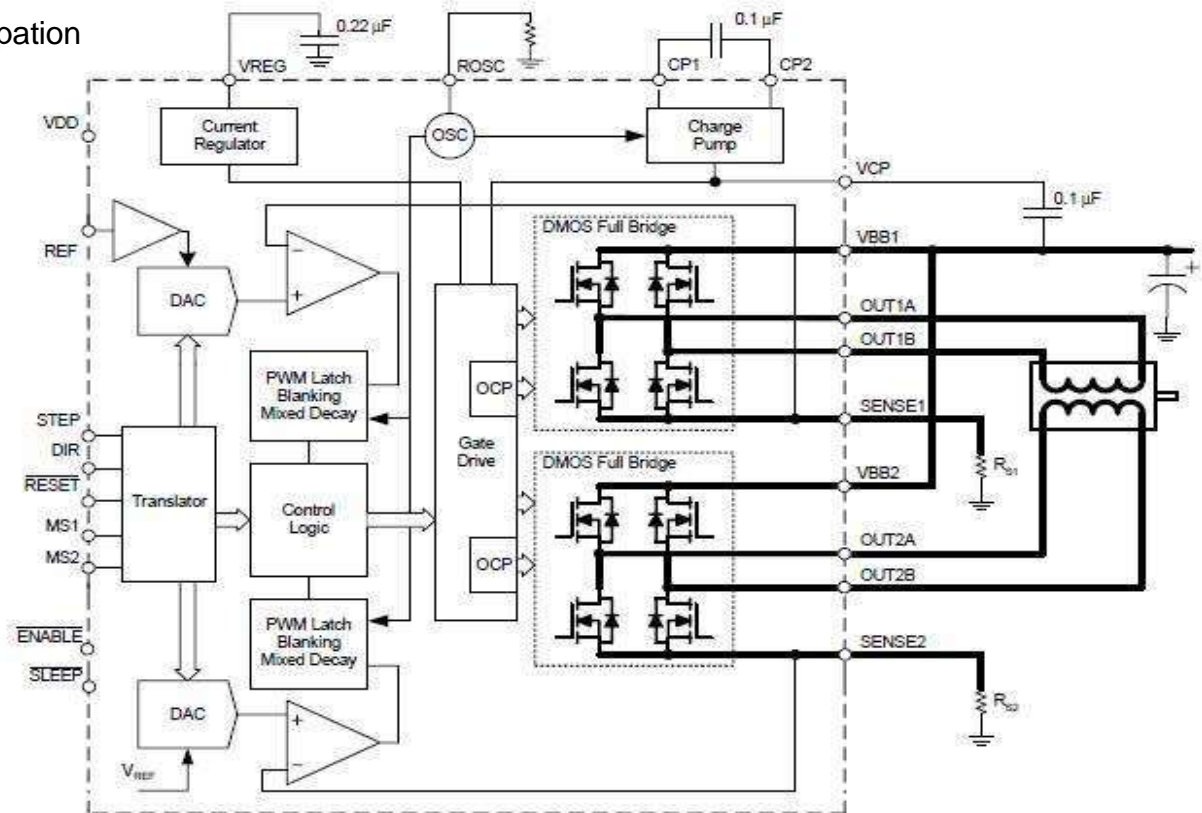


G2035

HV Micro Stepping Motor Driver with Over-Current Protection

Features

- Low RDS(ON) outputs
- Automatic current decay mode detection/selection
- Mixed and Slow current decay modes
- Synchronous rectification for low power dissipation
- Internal UVLO
- Crossover-current protection
- 3.3 and 5 V compatible logic supply
- **8V to 35V VBB Power**
- Thermal shutdown circuitry
- Short-to-ground protection
- Shorted load protection
- Low current Sleep mode, $<10 \mu A$
- QFN5X5-32/TQFN4X4-24 package)



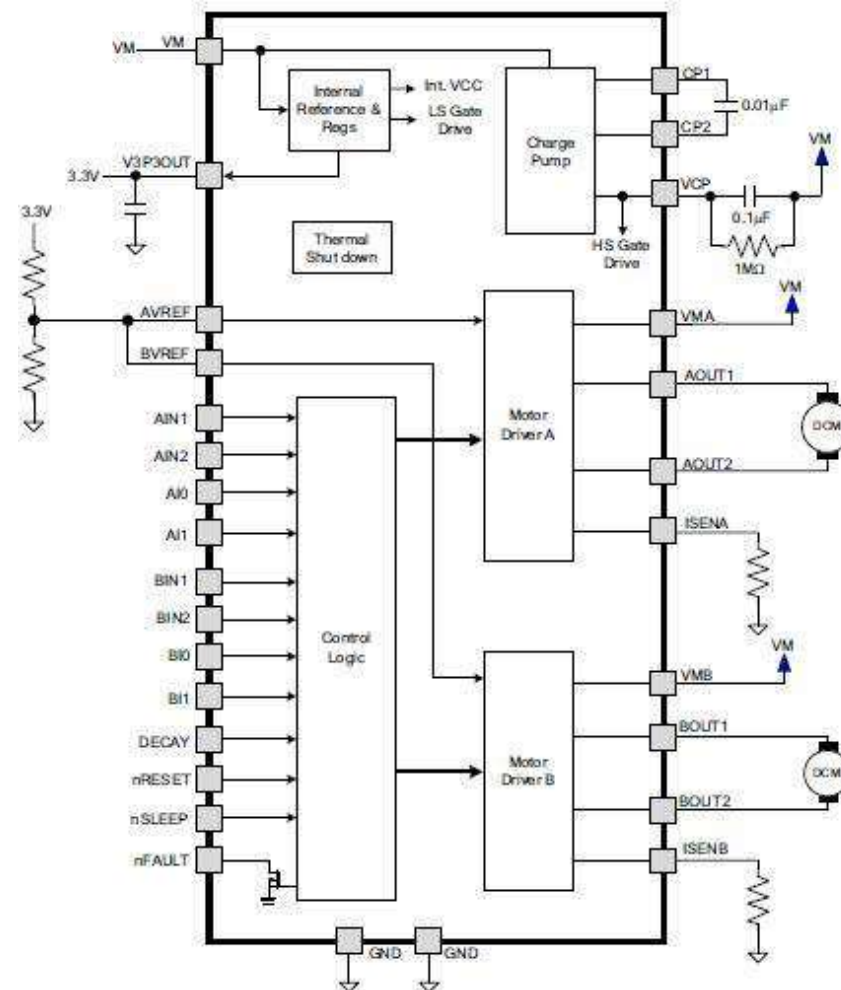
G2040

*coming soon

Dual H-Bridge Motor Driver

Features

- Dual H-Bridge DC Motor Driver
 - Drives Two DC Motors, One Stepper Motor or Other Loads
 - Two-Bit Winding Current Control Allows Up to 4 Current Levels
 - Low MOSFET On-Resistance
- 2.5-A Maximum Drive Current at 24 V, 25°C
- Built-In 3.3-V Reference Output
- Industry-Standard PWM Control Interface
- 8.2-V to 45-V Operating Supply Voltage Range
- Thermally Enhanced Surface Mount Package



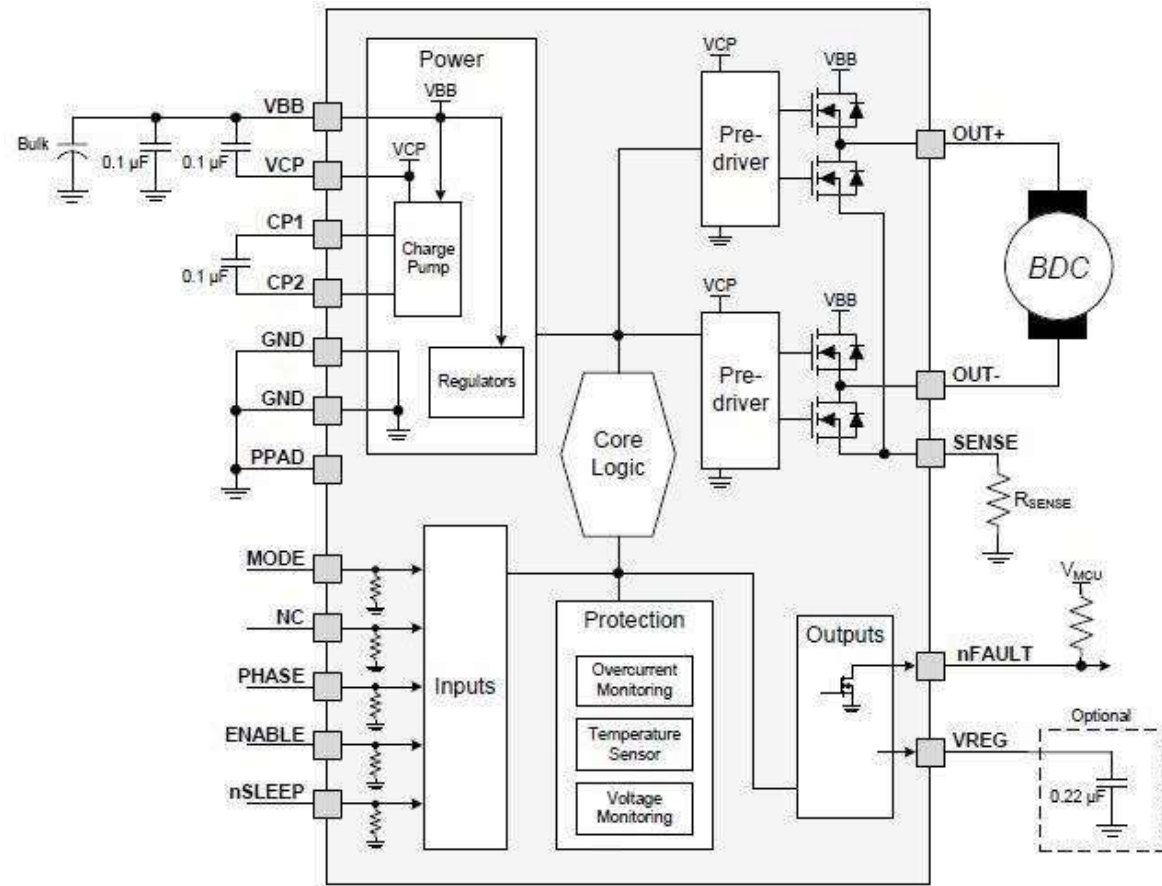
G2045

*Sampling

One H-Bridge Motor Driver

Features

- H-Bridge DC Motor Driver
- Low MOSFET On-Resistance(0.4Ω typ.)
- Low-Power Sleep Mode
- 100% PWM supported
- 8V to 36V Operating Supply Voltage Range
- Thermally Enhanced Surface Mount Package
- Protection Features:
 - Undervoltage Lockout (UVLO)
 - Charge Pump Undervoltage (CPUV)
 - Overcurrent Protection (OCP)
 - Short-to-Supply Protection
 - Short-to-Ground Protection
 - Overtemperature Warning (OTW)
 - Overtemperature Shutdown (OTS)
 - Fault Condition Indication Pin (nFAULT)

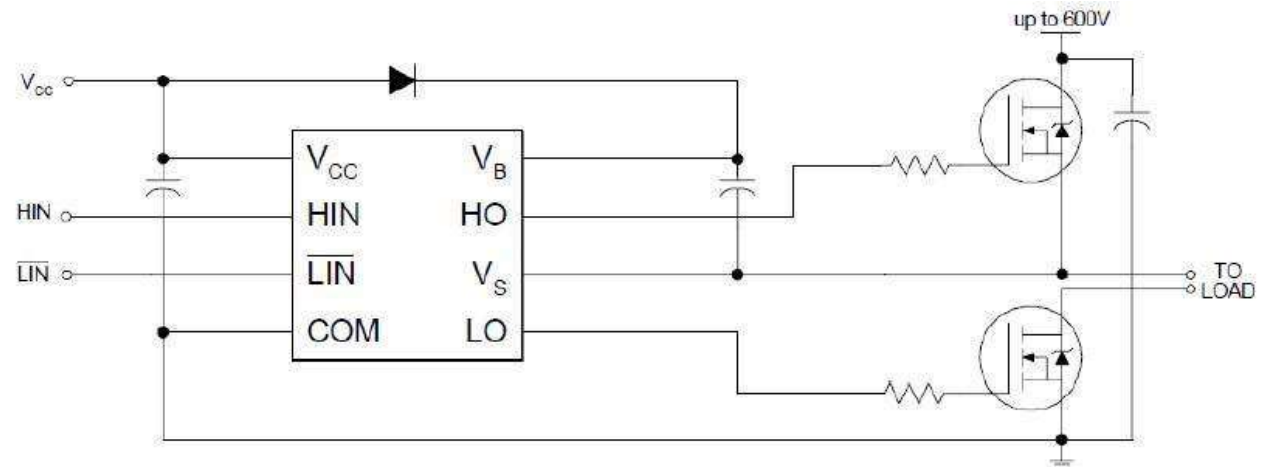


G5407

Half-Bridge Driver

Features

- Floating channel designed for bootstrap operation
- Fully operational to +600V
- Tolerant to negative transient voltage
- dV/dt immune
- Gate drive supply range from 10 to 20V
- Undervoltage lockout
- 3.3V, 5V and 15V logic compatible
- Cross-conduction prevention logic
- Matched propagation delay for both channels
- Internal set deadtime
- High side output in phase with HIN input
- Low side output out of phase with LIN input



THANK YOU.. 